

Operating Instructions

BB-300H



**THIS UNIT WAS MANUFACTURED FOR HOUSEHOLD USE.
READ ALL OPERATING INSTRUCTIONS BEFORE INSTALLATION
AND USE.**

1. Notes for installation

- 1) This product is intended for professional installation only.
- 2) Please read this manual carefully and install properly.
- 3) Please give this manual to the customer after installation.

2. Notes to customers

- 1) Please read this manual carefully and use this unit properly.
- 2) Please keep this manual for future reference.

CONTENTS	
I . IMPORTANT SAFEGUARDS	2
II . CAUTIONS BEFORE INSTALLATION	3
III . PARTS IDENTIFICATION	4
IV . INSTALLATION	5-6
V . BEFORE OPERATION	7-8
VI . TRIAL OPERATION	9
VII . OPERATION	10
VIII . MAINTENANCE	11-12
IX . SPECIFICATIONS	13
X . WARRANTY CARD	14

I

IMPORTANT SAFEGUARDS

When using electrical products, especially when children are present, basic safety precautions should always be followed, including the following:

READ ALL INSTRUCTIONS BEFORE USING

DANGER – To reduce the risk of electrocution:

1. Do not place or store product where it may fall or be pulled into a tub or sink.
2. Do not immerse in water or other liquid.
3. Do not reach for the product if it does fall into the water. Unplug immediately.

WARNING – To reduce the risk of burns, electrocution, fire, or injury to persons.

1. Close supervision is necessary when this product is being used in households with children, elderly, or persons with disabilities. Children should not be permitted to use or touch this product. Do not leave children unattended in a room where this product has been installed.
2. Use this product only for its intended purposes as described in this manual. Do not use attachments not recommended by the manufacturer.
3. Never operate this product if it has a damaged cord or plug, not working properly, has been dropped, damaged, or dropped into water.
4. Install the unit properly by following the installation procedure.
5. Only authorized persons should install or repair the unit.
6. Keep the cord away from heated surfaces.
7. Never drop or insert any object into any opening or hose.
8. Do not use outdoors, where aerosol spray products are being used, or where oxygen is being administered.
9. Always follow the grounding instructions in this booklet before plugging in the unit.

SAVE THESE INSTRUCTIONS

II

CAUTIONS BEFORE INSTALLATION

NOTE THE FOLLOWING IMPORTANT POINTS

1. Do not install in a location where the product may be exposed to water, excessive moisture, or condensation formation.
2. To avoid damage to electronic components by high humidity, provide adequate ventilation by opening a window and/or a door when bathing.
3. Use a water supply of 0.5kgf/cm² to 7.5kgf/cm²(49kpa~735kpa).
4. Connect to a potable water source.
5. The water remaining in the unit may sometimes freeze during storage in winter. Make arrangements to prevent the hoses from freezing. If freezing occurs, warm the unit in room temperature before installation.
6. The thermal protector in the water tank may sometimes trip during storage or transportation in warm weather, causing non-operation. If this occurs, cool the unit in room temperature before installation.
7. The rated power voltage is 120V AC, 60Hz and the rated power consumption is 630W. Use wiring and electrical outlet appropriate for this level of power.
8. Do not supply electrical power to the unit unless the plumbing work has been completed. Damage could result.

Grounding Instructions

1. The electrical outlet, which must be a 120V~60-Hz and at least a 10-Amp grounded outlet, should be located on the wall within reach of the unit's power cord.
2. Always use a three-prong grounded outlet. If you have only a standard two-prong outlet, it must be replaced by a properly grounded three-prong outlet.
3. A personal protection Residual Current Device(R.C.D) must be installed in the circuit supplying power to the unit.
4. If an extension cord is needed, only use an extension cord that has a three-prong grounded plug and a three-slot receptor that will accept the unit's three-prong plug. The electrical rating of the extension cord must be equal to or greater than the electrical rating of the unit.

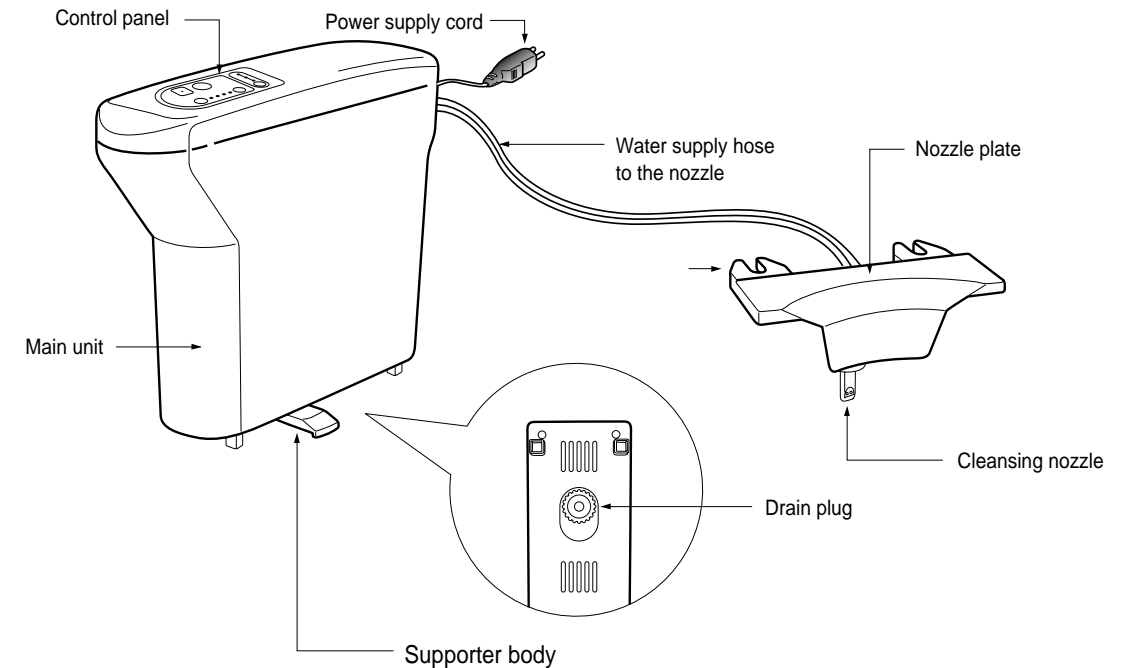
WARNING!

Failure to follow these grounding instructions may cause electrical shock, fire, serious personal injury, or damage to the product.

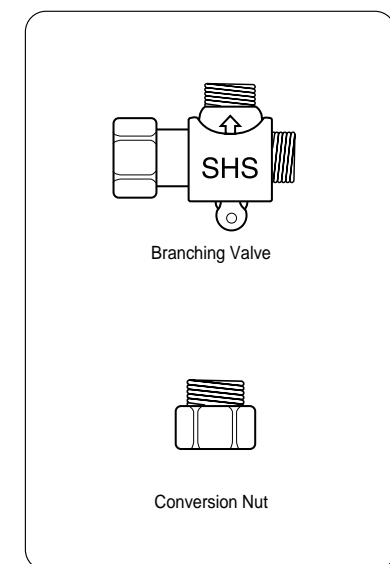
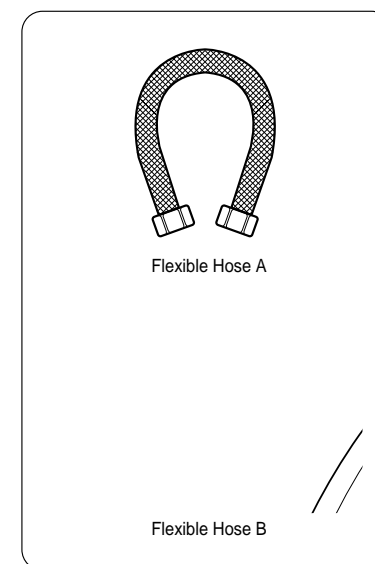
III

PARTS IDENTIFICATION

A. Main Unit

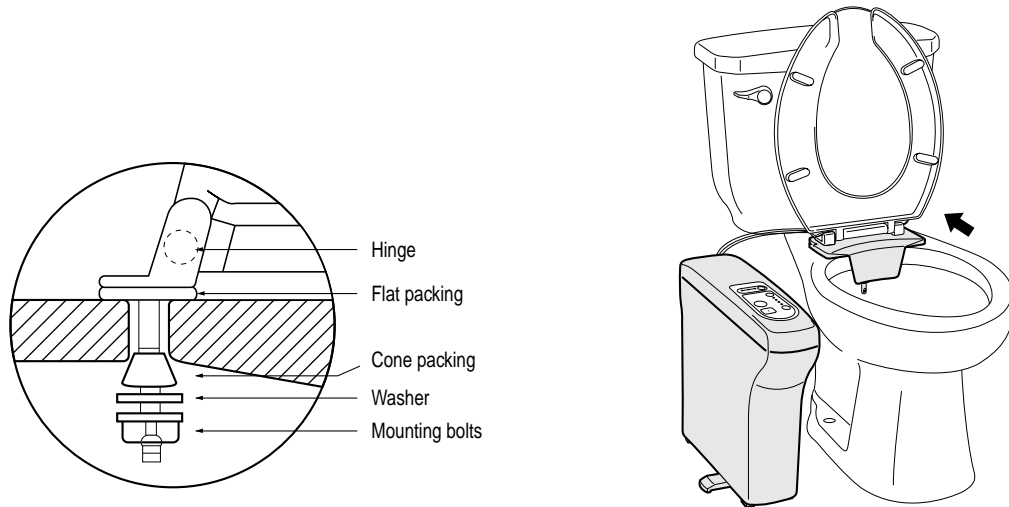


B. Accessories



A. Attaching the Nozzle Plate to the Toilet

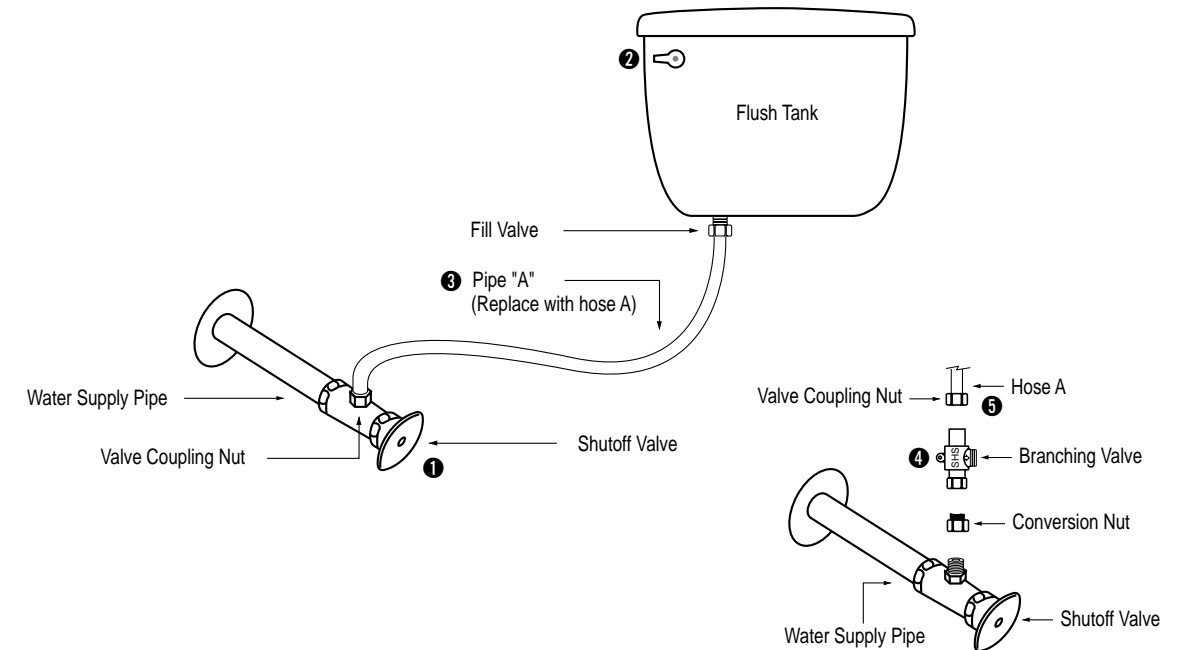
1. Unfasten the nuts of the toilet seat to remove the toilet seat.
2. Put the nozzle plate on the toilet.
3. Align the center of the nozzle plate with the toilet, then tighten the nuts securely.



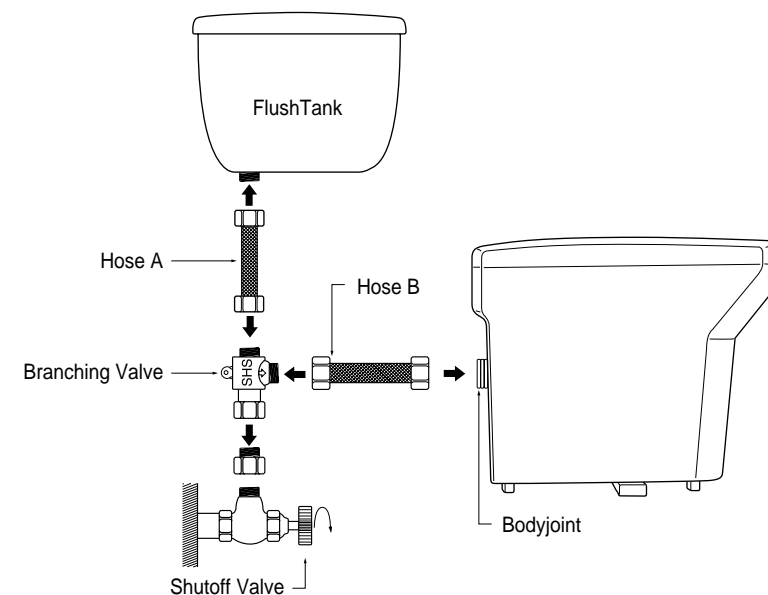
B. Installing the Main Unit to the Toilet

- 1 Turn off the water at the shutoff valve (Please refer to the diagram on the following page).
- 2 Flush the toilet twice to empty the bowl and tank. Place a small pan below the shutoff valve and the fill valve to catch any water left in pipes then unfasten fill valve nut.
- 3 If your existing pipe "A" is a copper pipe, replace it with our flexible hose A.
- 4 If water supply pipe connection is 3/8", use the conversion nut and the packing to attach the branching valve. In some cases, the water supply pipe connection may be 1/2" in which case the conversion nut may be omitted.
- 5 Connect the hose A to the branching valve and tighten. You may need to use a valve coupling nut. (see note below)

Note: Check the condition of the flexible hose. If it is cracked, worn, or damaged, do not use it. Replace the damaged hose before installing the unit. Also, if your toilet is equipped with a non-flexible pipe, please replace the pipe with an appropriate flexible hose. (The size of the valve coupling nut fitting is either 3/8" or 1/2". Take your existing pipe to a plumbing/hardware store to get the proper size of the flexible hose.)



C. Connecting the Water Supply to the Main Unit



Use the hose B to connect the body joint of the main unit to the branching valve. Tighten the coupling nuts at the body joint and the branch outlet.

A. Cautionary Notes

1. DO NOT use with an electrical outlet into which the plug does not fit securely.
2. If this product is to be used by children, elderly or disabled persons, the temperature control should be set to the lowest level to avoid irritation or injury.
3. If this product to be used by elderly persons or by children, appropriate supervision and precautions should be observed.
4. If the unit becomes loose or moves out of position, retighten the nuts and bolts as necessary. Use of the product without retightening could result in water leakage.
5. DO NOT apply force to the connecting flexible hoses or other plumbing; it could result in water leakage.
6. DO NOT splash water or urine on the unit; it could cause malfunction.
7. DO NOT allow this product to come into contact with paint, insecticide, nail polish, thinner, chlorine-based detergents, etc.
8. Placing a heating appliance too close to the unit could cause deformation or discoloration.
9. Exposure of the unit to direct sunlight could cause deformation or discoloration.
10. DO NOT use the unit as a footstool or place heavy objects on the unit, as this could cause damage.
11. If the supply cord is damaged, it must be replaced by the manufacturer, a service agent, or a similarly qualified person in order to avoid hazards.

B. Important Things to Know

1. If the unit is not in use for a long period of time, drain the water out of the water tank in the main unit and unplug the power cord.
2. An automatic timer will shut off the water after one minute. This prevents the unit from accidentally being left "on" in households with children. To continue usage, press the cleansing button to re-initiate the water stream.

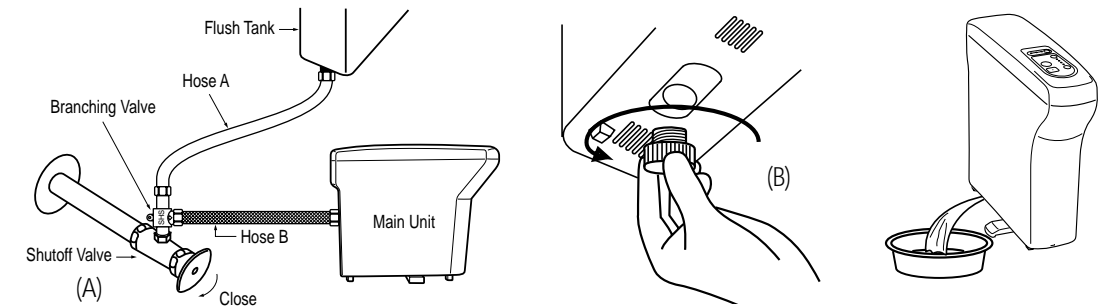
a. Preventing Freezing

Freezing could cause damage to the water tank or hoses, etc., thus resulting in water leakage. If there is a risk of freezing, use one of the following methods.

- Method 1 :** Use a heating appliance to heat the room.
- Method 2 :** Set the water temperature to "HI" .
- Method 3 :** Drain the water out of the water tank.

b. Instruction for Water Draining

1. Turn the shutoff valve (A) clockwise to close.
2. Loosen the drain (B) at the bottom of the water tank to drain the water. Be sure to place a pan large enough to contain the drained water.
3. After draining, securely tighten the plug (B).
4. To re-supply water after draining, open the shutoff valve (A).



C. Troubleshooting

Please check the following points before requesting service :

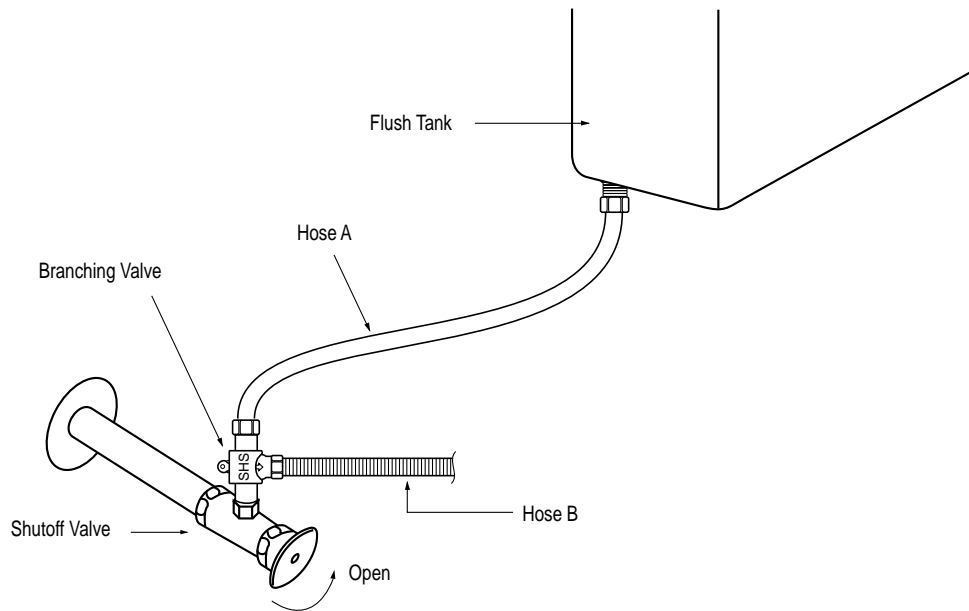
Problem	Possible Cause	Suggestion
The unit does not turn on.	<ul style="list-style-type: none"> • The unit is not plugged in securely. 	<ul style="list-style-type: none"> • Plug in securely.
The water stream does not spray	<ul style="list-style-type: none"> • The water tank is not filled. • Timed operation stopped after one minute continuous use. • The shutoff valve is closed. • Freezing inside the main unit or the water supply pipe. 	<ul style="list-style-type: none"> • Wait about one minute. • Press the desired switch once again • Turn on the shutoff valve to open • Heat the room (for about two hours). Operating the unit while parts are frozen will cause a malfunction.
The water stream is not warm.	<ul style="list-style-type: none"> • The water temperature switch is set to LO. • Continuous operation has depleted the supply of warm water. 	<ul style="list-style-type: none"> • Set switch to HI; it will take about ten minutes for the water to reach the set temperature. • Wait about ten minutes.
The water pressure is weak.	<ul style="list-style-type: none"> • The water pressure level is set to LO. • The strainer is clogged. 	<ul style="list-style-type: none"> • Reset the water pressure to HI. • Clean the strainer.

Service of any problems not covered under the warranty is provided by UCI Inc. for a moderate fee.

VI TRIAL OPERATION

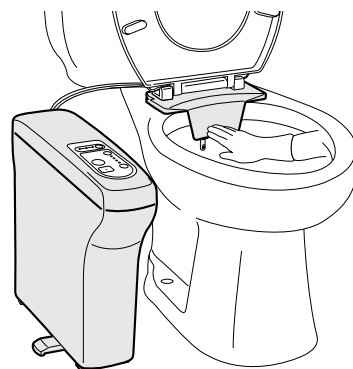
A. Preparation

1. Open the shutoff valve.
2. Plug in the power cord. The indicator will light up. Start supplying water to the water tank.
3. The water tank will take about a minute to fill up.



B. Operation Test

1. Shield the nozzle with your hand to prevent the water from spraying too far during the trial operation.
2. Press the CLEANSING button to test the water stream.
3. Adjust the water stream using HI/LO button.

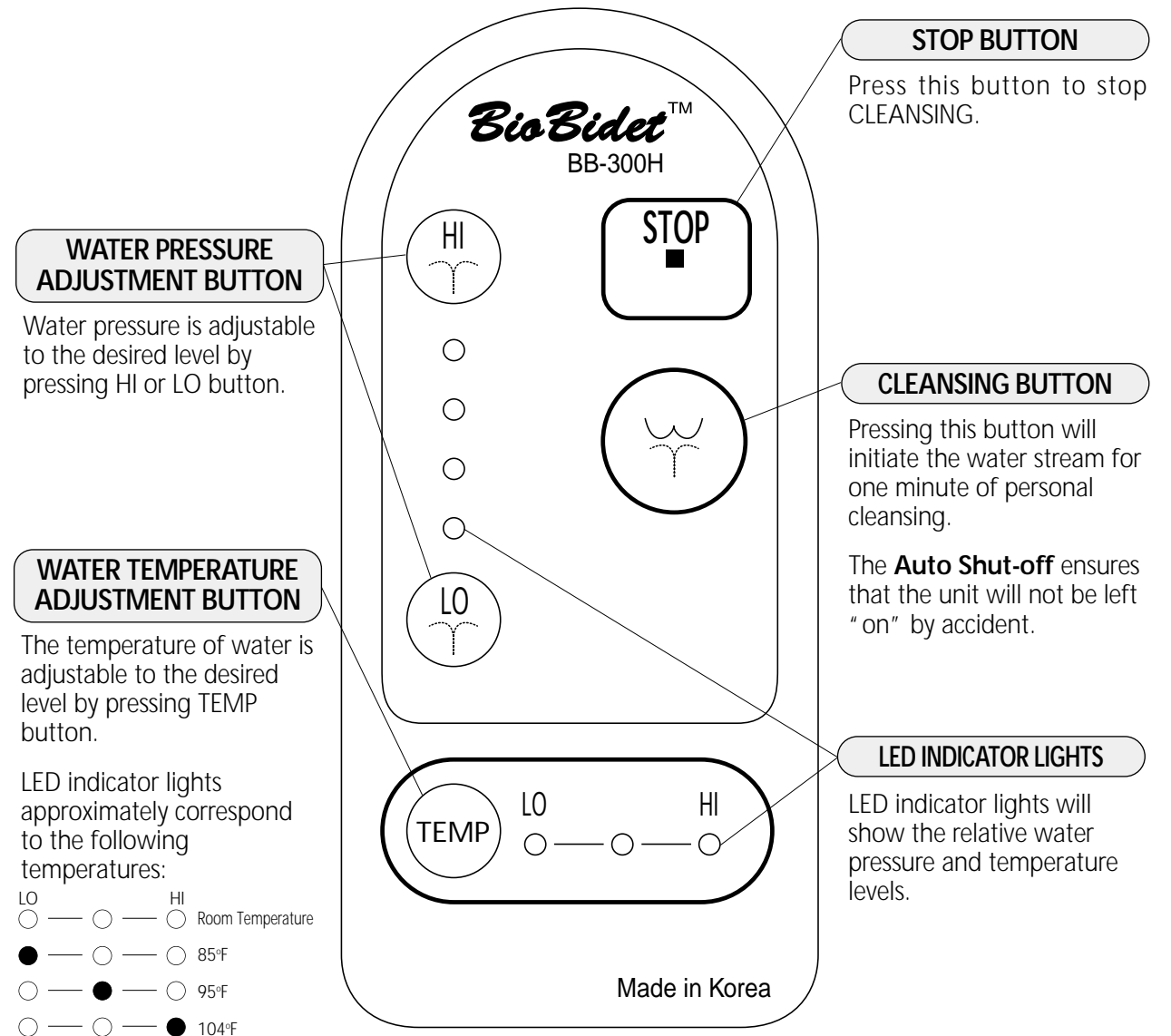


C. Check for Water Leakage

Confirm that there is no water leakage from the connections.

VII OPERATION

CONTROL PANEL FEATURES



CAUTIONS:

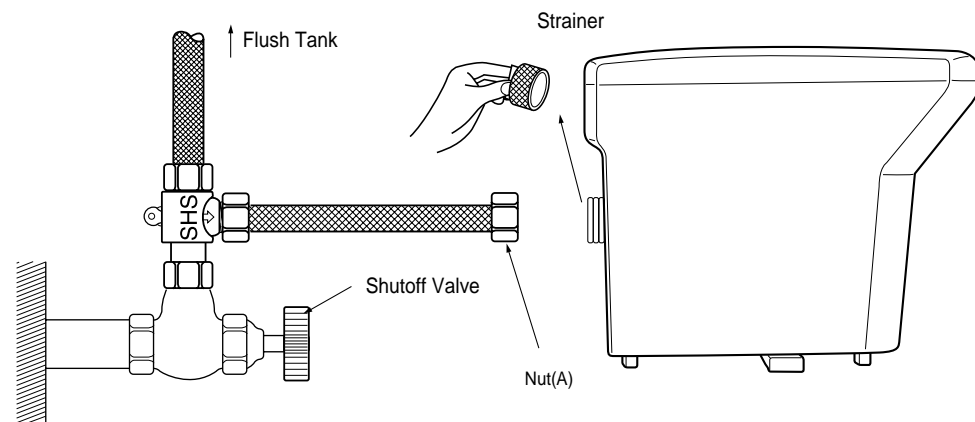
DO NOT use chlorine-based detergents, benzene, thinner, alcohol, steel wool, etc. for cleaning; that will damage the unit.

DO NOT wash with water. This is an electrical appliance and water could cause malfunction.

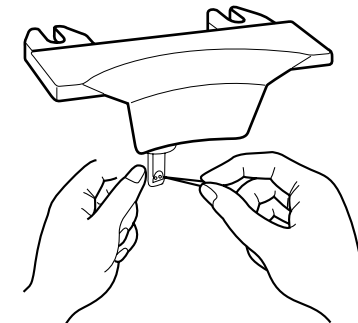
A. Cleaning the Strainer

The unit will not operate properly if the strainer is clogged. Be sure to clean the strainer.

1. Close the shutoff valve.
2. Flush the toilet to empty the flush tank.
3. Unscrew the nut (A).
4. Clean the strainer using a small brush.
5. Re-screw the nut (A).
6. Open the shutoff valve.

**B. Cleaning the Nozzle**

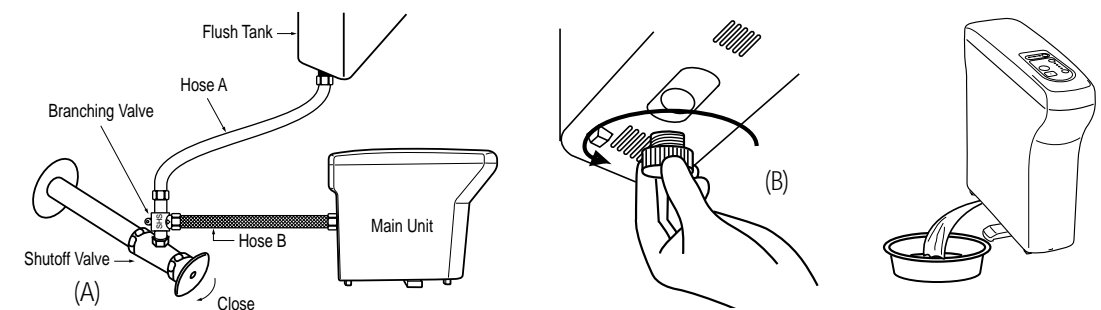
1. Pull down the nozzle from the nozzle plate by hand.
2. If the nozzle is clogged, clean it using a pin.

**C. Water Draining From Water Tank**

CAUTIONS : • Do not drink the drained water.
• Do not insert finger into the drain hole.

(Before draining unplug the power cord and wait 30 min until the appliance has cooled down.)

1. Turn the shutoff valve (A) clockwise to close.
2. Loosen the drain (B) at the bottom of the water tank to drain the water. Be sure to place a pan large enough to contain the drained water.
3. After draining, securely tighten the plug (B).
4. To re-supply water after draining, open the shutoff valve (A).



NO	ITEM	BB-300H
1	Power Rating Power Cord	AC 120V~60Hz 630W 4ft (1.2m)
2	Warm Water Flow Rate Temperature Settings Heater Safety Features Supply Water Pressure	14 - 33 oz/mim Room Temp., 85°F, 95°F, 104°F 600W Thermal Fuse Float Switch Thermal Switch 1Minute Auto Shut-off 0.5-7.5kgf/cm ²
3	Dimension & Weight	4.3" (W) × 14.6" (H) × 18.2" (L) 10 lbs
4	Ambient Temperature	40°F to 104°F

WARRANTY

One Year Warranty

The manufacturer carefully tests every **Pilot Bidet** before shipment. **Pilot Bidet** made with highest quality materials in the highest standard of production and workmanship, is guaranteed to be free of defects.

The warranty is good for one year from purchase date.

Warranty Excludes the Following:

1. Replacement of parts due to discoloration from cleaning chemicals or mineral content in water.
If you live in an area with strong minerals in the water, manufacturer recommends using a water filter.
2. Replacement due to damage or malfunction caused by improper installation, negligence, misuse or abuse.
3. Replacement due to improper installation.
4. Manufacturer is not responsible or liable for any damages caused by improper installation or by use of parts which were not supplied by manufacturer.

Only the original purchaser may submit a claim under this limited warranty. To activate your warranty, complete this form:

Purchase Date _____ Purchased From _____
 Invoice # _____ Amount Paid _____ Serial # _____
 Name _____
 Address _____ City _____ State _____ Zip _____
 Phone () - _____ Fax () - _____ E-mail _____

Great Products for Your Healthy Living!®