

WARRANTY

One Year Warranty

The manufacturer carefully tests every *Pilot Bidet* before shipment. *Pilot Bidet*™ made with highest quality materials in the highest standard of production and workmanship, is guaranteed to be free of defects.

The warranty is good for one year from purchase date.

Warranty Excludes the Following:

1. Replacement of parts due to discoloration from cleaning chemicals or mineral content in water.
If you live in an area with strong minerals in the water, manufacturer recommends using a water filter.
2. Replacement due to damage or malfunction caused by improper installation, negligence, misuse or abuse.
3. Replacement due to improper installation.
4. Manufacturer is not responsible or liable for any damages caused by improper installation or by use of parts which were not supplied by manufacturer.

Only the original purchaser may submit a claim under this limited warranty. To activate your warranty, complete this form:

Purchase Date _____ Purchased From _____
 Invoice # _____ Amount Paid _____ Serial # _____
 Name _____
 Address _____ City _____ State _____ Zip _____
 Phone () - _____ Fax () - _____ E-mail _____

Great Products for Your Healthy Living!®

Personal Hygiene Appliance

Operating Instructions With Installation Instructions

BB-500 (Elongated Type)



This is a sophisticated electronic product. Read all operating and installation instructions before use.

NOTE TO INSTALLER :

PLEASE GIVE THESE INSTRUCTIONS TO THE CUSTOMER AFTER INSTALLATION.

CONTENTS	
1. IMPORTANT SAFEGUARDS	2
2. GROUNDING INSTRUCTIONS	3
3. PRECAUTIONS	4
4. PARTS IDENTIFICATION	5
5. INSTALLATION INSTRUCTIONS	6-8
6. BEFORE OPERATION	9
7. TRIAL OPERATION	10
8. OPERATION	11
9. MAINTENANCE	12
10. TROUBLE SHOOTING	13
11. SPECIFICATIONS	14
12. WARRANTY CARD	15

**THIS UNIT WAS MANUFACTURED FOR HOUSEHOLD USE.
READ ALL OPERATING INSTRUCTIONS BEFORE INSTALLATION.**

1. Notes for installation

- 1) This product is intended for professional installation only.
- 2) Please read this manual carefully and install properly.
- 3) Please give this manual to the customer after installation.

2. Notes to customers

- 1) Please read this manual carefully and use this unit properly.
- 2) Please keep this manual for future reference.

11

SPECIFICATIONS

NO	ITEM	BB-500
1	Power rating Power cord	AC 120V 600W 60Hz 4ft (1.2m)
2	Warm water flow rate Temperature Heater Safety features Supply water pressure	0.6-1.0 l /mim Room temp-104°F 500W Thermal fuse Float switch Thermal switch 0.5-7.5kgf/cm ²
3	Warm seat temperature Heater Safety feature	Room temp-104°F 70W Thermal fuse
4	Dry Temperature Heater Safety feature	Room temp-140°F 500W Thermal fuse
5	Seat mechanism	Hydraulic seat for quiet closing
6	Dimension & weight	20 ¹ / ₂ (W) × 7 ¹ / ₁₆ (H) × 20 ⁷ / ₈ (L) inch 11.7 lbs
7	Ambient Temperature	41°F- 104°F

There will be a charge for the service of any problem that is not due to a product covered by warranty. Check the following points before requesting service.

Problem	Cause	Remedy
The washing water is not sprayed.	<ul style="list-style-type: none"> The water tank is not filled. Timed operation stopped after one minute continuous use. The shutoff valve is closed. Freezing inside the main unit or the water supply pipe. 	<ul style="list-style-type: none"> Wait about one minute. Press the desired washing switch once again. Turn on the shutoff valve to open. Heat the room (for about two hours). Operating the unit while parts are frozen will cause a malfunction.
The washing water is not warm.	<ul style="list-style-type: none"> The water temperature switch is set to LO. Continuous operation has depleted the supply of warm water. 	<ul style="list-style-type: none"> Press water to HI; it will take about ten minutes for the water to reach the set temperature. Wait about ten minutes.
The washing water pressure is weak.	<ul style="list-style-type: none"> The water pressure level is set to LO. The strainer is clogged. 	<ul style="list-style-type: none"> Press the HI. Clean the strainer.
The warm seat is not warm.	<ul style="list-style-type: none"> The seat temperature is set to LO 	<ul style="list-style-type: none"> Press the seat switch toward HI; it will take about 20 minutes for the seat to reach the set temperature.
The drying air is not warm.	<ul style="list-style-type: none"> The dry temperature is set to LO. 	<ul style="list-style-type: none"> Press the HI.
The unit is not operating.	<ul style="list-style-type: none"> The seat is misaligned to the toilet. 	<ul style="list-style-type: none"> Align the seat to the toilet.

※ When disassembling the product, always remove the water in the main body.

Please observe the following precautions before using this appliance.

1. Read all instructions before using this appliance.
2. This appliance must be GROUNDED. Connect the grounding wire properly to the grounding terminal. Refer to the grounding instructions found on page 3.
3. Failure to comply could result in a short circuit, shock or fire. To avoid injury, operation and use of this appliance is restricted to a water supply line with a pressure between 7.5 psi and 90 psi.
4. This appliance must be connected to an AC120 volt power source. Any other power source may cause a fire.
5. Use this appliance only as described in the operating instructions.
6. Keep the cord away from heated surfaces.
7. Never drop or insert any object into any opening or hose.
8. Do not use outdoors or where aerosol spray products are being used or where oxygen is administered.
9. Do not permit anyone to operate this appliance who has not been instructed in its use. Keep the operating instructions of this appliance in a visible place for easy reference.
10. Close supervision is necessary when the user is an infirm person or a child. Adjust the seat temperature and the shower temperature properly when this appliance is to be used by any of the following people:

**Child, infirm person, sick person.
Person with particularly sensitive skin.
Physically handicapped person.**

11. Do not splash water on this appliance.
12. Do not operate this appliance if it is not working properly.
13. Only qualified service personnel should service this appliance.
14. If you are using this appliance for the first time, it is recommended that you operate it on reduced water pressure and temperature settings. If any discomfort is felt, and persists, discontinue use and consult your doctor.
15. Do not stand or sit on the seat coverlid. It is not designed to support a user's body weight.
16. If using any chemical toilet bowl cleaner, be sure to wipe up any spills that splash onto this appliance.
17. Drain off the water from this appliance if it is not going to be used for an extended period of time.
18. Take steps to prevent the water from freezing.

SAVE THESE INSTRUCTIONS

2

GROUNDING INSTRUCTIONS

1. GROUND INSTRUCTIONS

This appliance has a three-prong grounding plug. The plug must be plugged into an outlet that is properly installed and grounded. In the event of an electrical short circuit, grounding reduces the risk of electric shock by providing an escape wire for the electric current.

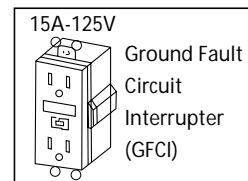
IMPROPER GROUNDING CAN RESULT IN A RISK OF ELECTRIC SHOCK.

The use of an extension cord is not recommended or advised.

If it is necessary to use an extension cord, use only a three-wire extension cord that has a three-blade grounding plug, and a three-slot receptacle that will accept the plug on this appliance. (See below wiring requirement.)

The marked rating of the extension cord should be equal to or greater than the electrical rating of the unit (10amps). Consult a qualified electrician or service person if you are not sure whether the unit is properly grounded.

As a further safety precaution, your local electrical code may require a Ground Fault Circuit Interrupter (GFCI).

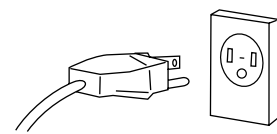


2. WIRING REQUIREMENT

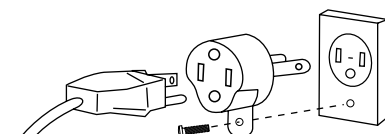
1) This appliance must be plugged into at least a 120V AC, 60Hz and the rated power consumption is 600W GROUNDED OUTLET. Where only a standard two-prong outlet is available, it is the responsibility of the user to install a grounded three-prong outlet (Fig. 1). Using a higher voltage is dangerous and may result in a fire or other accident. UCI, Inc is not responsible for damage resulting from the use of this appliance on other than specified voltage, or operating it without proper grounding.

2) A TEMPORARY CONNECTION with a two-prong adaptor may be made where LOCAL CODES PERMIT, provided that the adaptor is grounded (Fig. 2). Unless the cover screw is grounded through the house wiring, attaching the adaptor grounding plate to the cover screw will NOT ground the unit. If there is any doubt that the cover screw is grounded, have it checked by a qualified electrician or service person.

3) This appliance must be on a separated circuit. No other appliance should share the circuit with this appliance. Sharing a circuit could cause the branch circuit fuse to blow or the circuit breaker to trip. Continuous usage under these conditions could result in a fire.



(Fig. 1)



(Fig. 2)

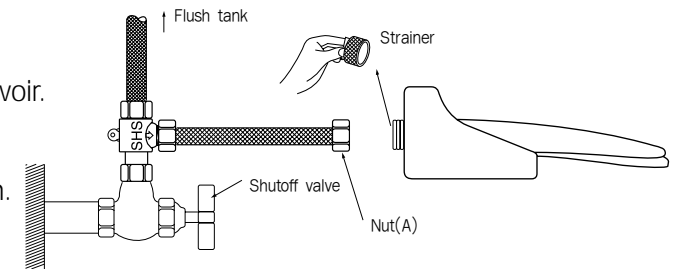
9

MAINTENANCE

1. CLEANING THE STRAINER

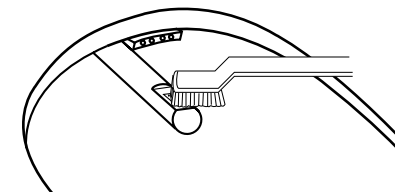
The unit will not operate properly if the strainer is clogged. Be sure to clean the strainer before use.

1. Close the shutoff valve.
2. Flush the toilet to empty the water reservoir.
3. Unscrew the nut (A).
4. Clean the strainer by using a small brush.
5. Re-screw the nut (A).
6. Open the shutoff valve.



2. CLEANING THE NOZZLE

1. When the cleaning switch is pressed, the nozzle sticks out.
2. The nozzle can be cleaned by using a tooth brush.
3. After cleaning the nozzle, push the cleaning switch once again, then the nozzle retracts itself with selfcleaning.



3. WATER DRAINING FROM WATER TANK

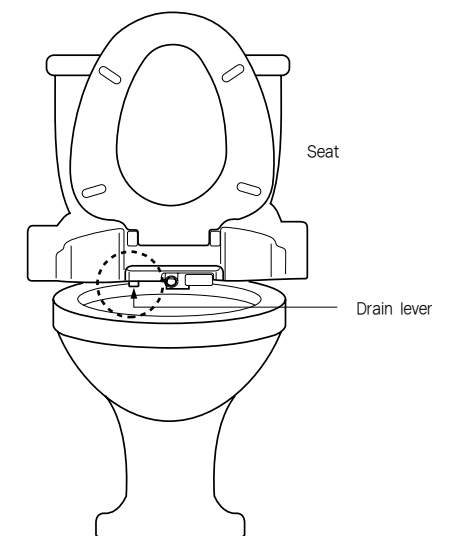
1. Close the shutoff valve.
2. Press the drain lever until the water is completely drained from the unit's water tank.
3. To re-supply water after draining, open the shutoff valve.

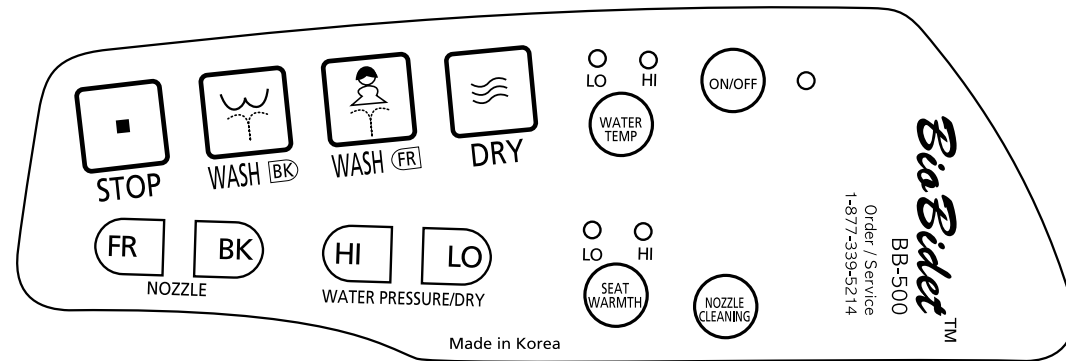
CAUTIONS :

Do not drink the drained water.

Do not insert finger into the drain hole.

<Before draining, unplug the power cord and wait 30 min until the appliance has cooled down.>



**1. STOP**

Press this switch to stop cleansing, bidet or dry.

2. WASH(BK)

When this switch is pressed, water starts cleansing the back side for one minute. The nozzle moves back and forth automatically and the nozzle stops moving when the switch is pressed again. (move function)

3. WASH(FR)

When this switch is pressed, water start cleansing the front side for one minute. The move function is same as cleansing.

4. DRY

When this switch is pressed, warm air comes out from dry outlet for three minutes.

5. WATER AND SEAT TEMPERATURE ADJUSTMENT

The temperatures of water and seat are adjustable to the desired level by pressing WATER TEMP or SEAT WARMTH switch.

6. WATER PRESSURE AND DRY TEMPERATURE ADJUSTMENT.

Water pressure and dry temperature are adjustable to the desired level by pressing HI or LO switch.

7. NOZZLE POSITION ADJUSTMENT.

Nozzle position is adjustable to the desired position by pressing FR or BK switch.

8. NOZZLE CLEANING

When this switch is pressed, the nozzle sticks out, so the nozzle can be cleaned. The nozzle retracts itself when this switch is pressed again.

9. ON/OFF SWITCH

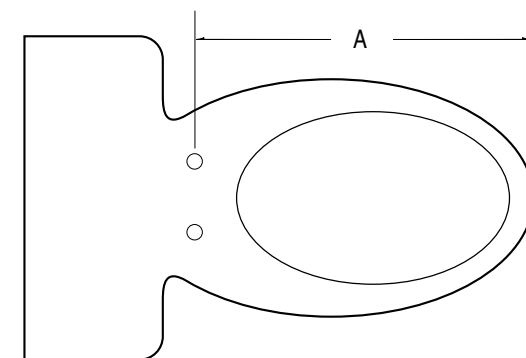
Turn this switch on to activate the whole main unit operations.

10. SEAT SWITCH

Even if each control switch is pressed, the unit will not operate when nobody sits on the seat.

1. Do not install in a location where water might be splashed on the product or in a location exposed to excessive moisture that condensation forms on the appliance surface.
2. To avoid damage to electronic components due to high levels of humidity, provide adequate ventilation opening a window and/or door when bathing.
3. Use a water supply having a water pressure of 7.5 ~ 90 Psi.
4. Connect the product to a pipe carrying potable water. Do not connect to an industrial water line or water supply that does not carry water of drinking quality.
5. In areas where water freezes in pipes in winter, make arrangements to keep the pipes warm. The remaining water in the unit may sometimes freeze during storage in winter.
6. The thermal protector in the water tank may sometimes trip during storage or transportation in hot weatherser, causing non-operation. In such case, cool the unit before installation.
7. Do not supply electrical power to the unit until the plumbing installation work has been completed. It could cause malfunction.
8. If unit is not operated for an extended period of time, unplug the unit.
9. Drain off water from this appliance if it is not going to be used for an extended period of time.
10. Do not expose this appliance to direct sunlight, as it may discolor the plastic.
11. Do not plug this appliance into a loose electric outlet.
12. Do not push or pull the connecting tube; otherwise it may cause water leakage.
13. Do not apply excessive force to the shower nozzle.

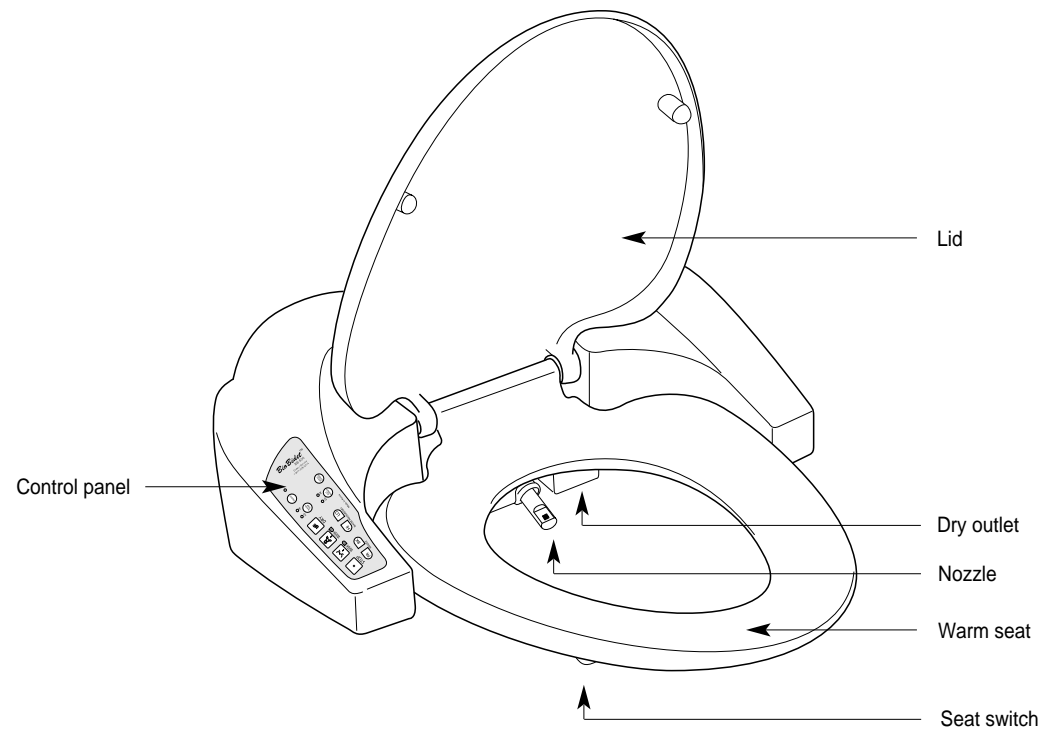
Model	Seat type	Distance A
BB-500	Elongated type	17.7-18.5" (450~470mm)



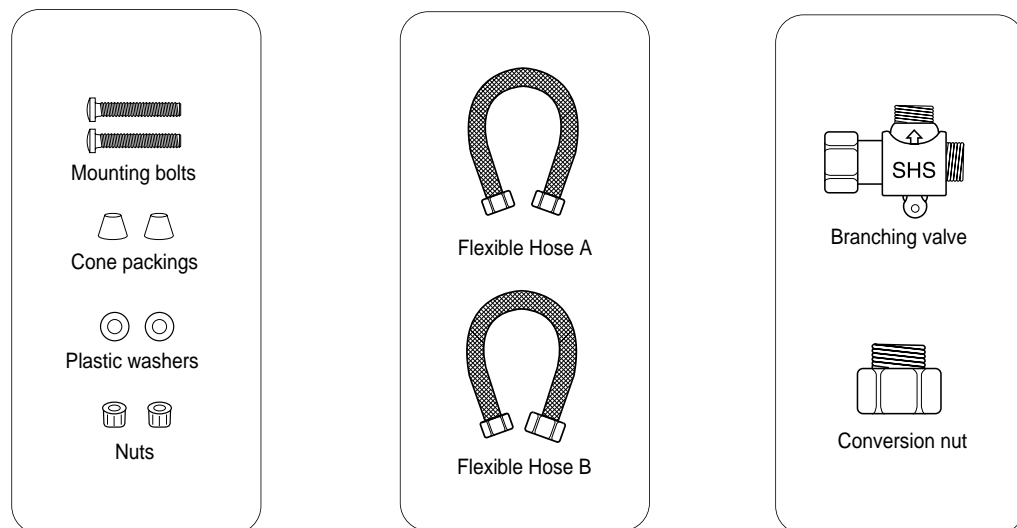
4

PARTS IDENTIFICATION

1. MAIN UNIT



2. ACCESSORIES

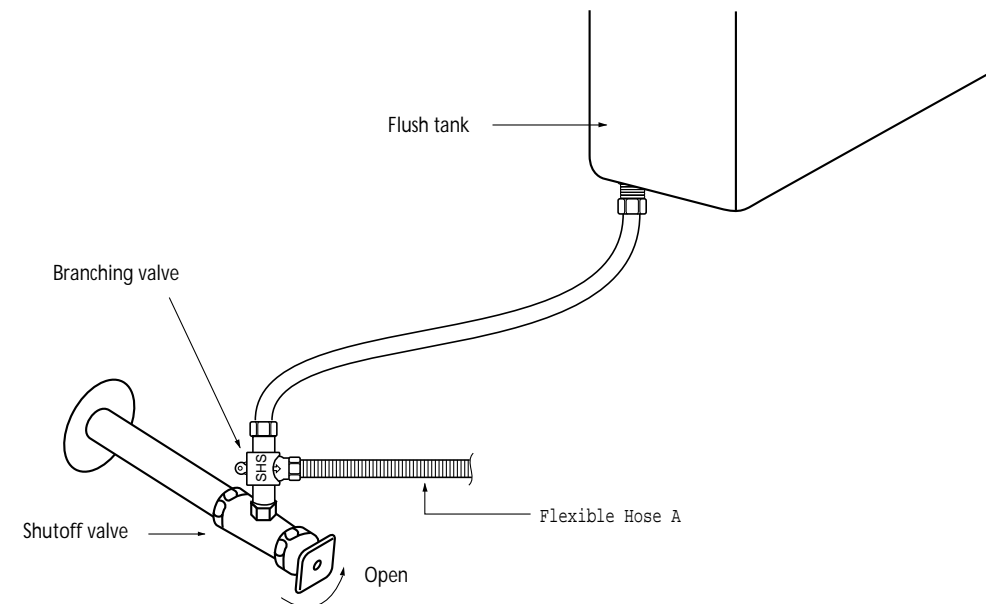


7

TRIAL OPERATION

1. PREPARATION

1. Open the shutoff valve and check for water leaks.
2. Plug the unit into the proper power source and turn it on. The indicator will light up and the water tank will start filling with water.
3. The water tank will be filled after about one minute.



2. OPERATION TEST

Cover the toilet bowl using the plastic wrapping sheet of the unit to prevent the washing water from being sprayed out of the toilet. Push the warm seat down by hand and press the CLEANSING or BIDET switch to check the washing water spray condition and nozzle's movement.

1. CAUTIONARY NOTES

1. Do not use with electrical outlet into which the plug does not fit securely.
2. If this appliance is to be used for an extended time, particularly by elderly or disabled persons, the temperature control should be set to the lowest level to avoid irritation or injury.
3. This appliance may not be suitable for use by elderly or children. If it is to be used by elderly or children, appropriate supervision and precautions should be observed.
4. If the appliance becomes loose or moves out of position, retighten the mounting nuts and bolts as necessary. It could result in water leakage.
5. Do not apply force to the connecting flexible pipe or other plumbing, it could result in water leakage.
6. Do not splash water or urine on the appliance or heated seat. It could cause a malfunction.
7. Do not allow this appliance to come into contact with paint, nail polish, thinner, chlorine, detergents, oils, etc.

2. IMPORTANT THINGS TO KNOW

1. If the appliance is not to be used for a long period of time, drain the water and unplug the power cord.
2. If washing water is used continuously for longer than one minute, it will automatically shut off. If this occurs, press the desired operation switch once again.
3. Water will drain when the nozzle is extended and retracted. This is to cleanse the nozzle, not a malfunction.

PREVENTING FREEZING

Freezing could cause damage to the water tank or pipes, etc., thus resulting in water leakage.
If there is a risk of freezing, use one of the following methods.

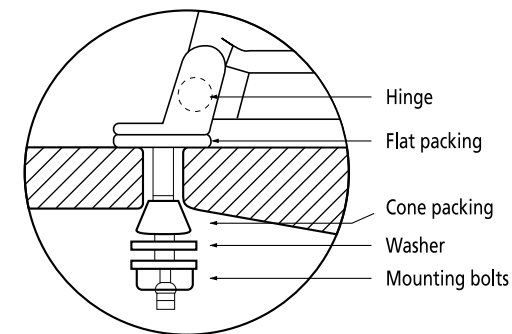
Method 1 : Use a heating appliance to heat the room.

Method 2 : Set the water and the seat temperature to "HI".

Method 3 : Drain the water out of the water tank.

1. REMOVING THE EXISTING TOILET SEAT AND LID

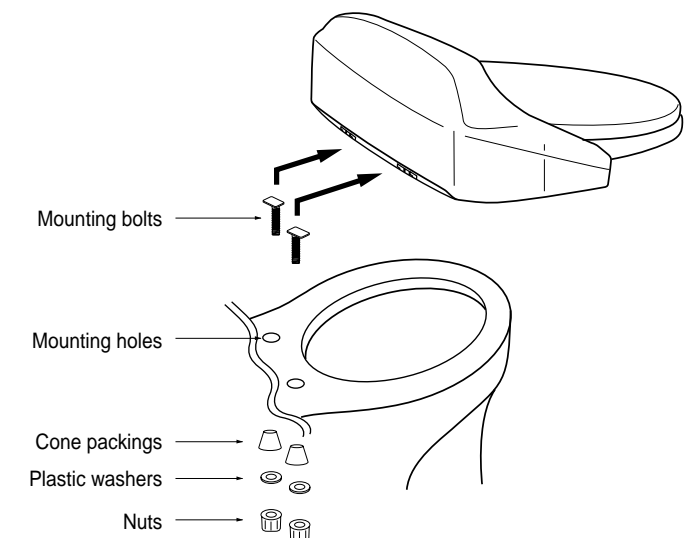
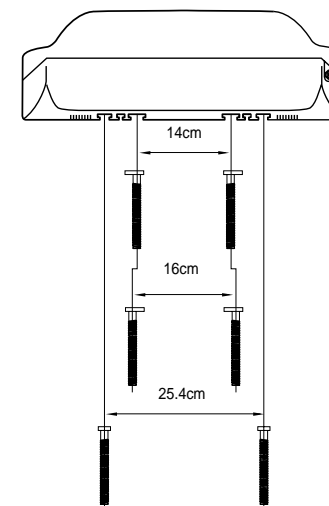
By using a wrench or other proper tool, release the nut on both sides of the toilet to remove the toilet seat and lid.



2. PLACING THE MAIN UNIT TO THE TOILET

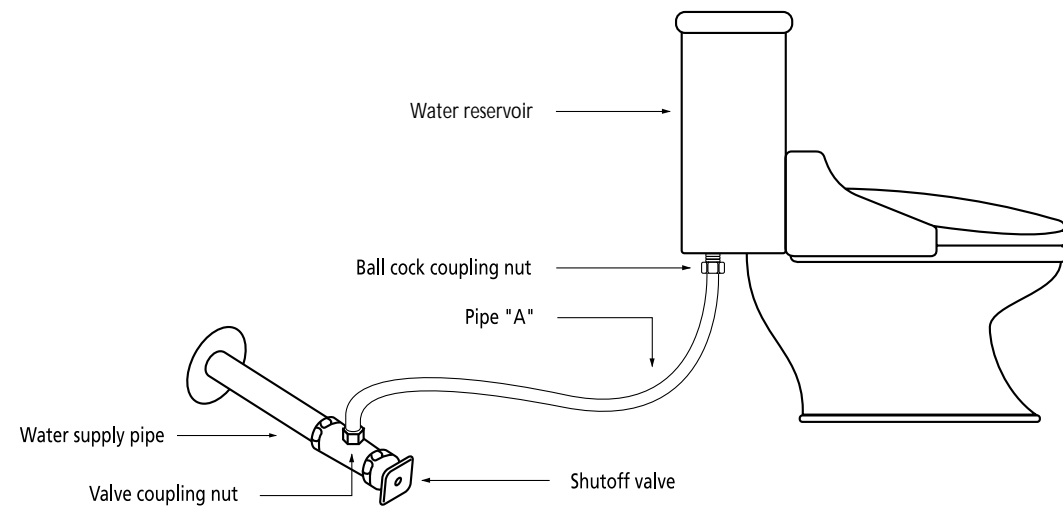
1. Slide the mounting bolts into the grooves at the rear bottom of the unit according to the distance of the toilet mounting holes.

2. Install the main unit on the toilet by inserting the mounting bolts to the toilet mounting holes. Fit the cone packings and plastic washers on to the bolts from below the toilet, then tighten the nuts securely.

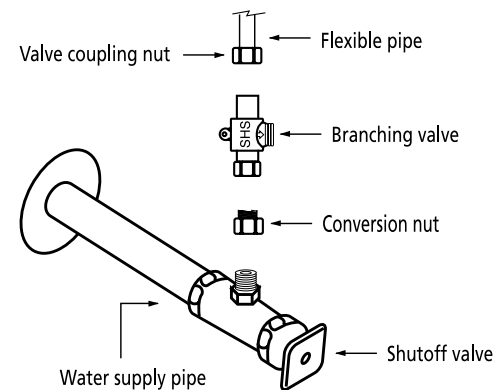


3. CONNECTING THE BRANCHING VALVE

1. Shut off water supply to the water reservoir by closing valve A.



2. Completely empty water reservoir by flushing repeatedly. Place a small pan below shutoff valve ball cock to catch any remaining water in pipes when unfastening the ball cock coupling nut.
3. Remove existing pipe A.
4. Branching valve is standard 1/2" in size. When connecting 3/8", use the conversion nut with packing before connecting the branching valve. And then connect the branching valve and valve-coupling nut with packing.



Remark:
If 3/8" valve is used,
Please use the conversion nut provided.

4. ATTACH CONNECTING TUBING

Use the connecting flexible pipe to connect the body joint of the main unit to the branching valve with two packing. Fasten the coupling nuts at the body joint and the branch outlet.

